

VistaCool™

Direct-to-Drain Cooling System for Autoclave Wastewater

VistaCool.com

 ordervista@crossstex.com  800-531-2221  vrg.support

Kiss your condenser bottles goodbye.

The steam and condensation produced by autoclaves can destroy cabinets, be messy to empty from condenser bottles, and even melt plumbing if not cooled sufficiently. The patent-pending VistaCool™ Direct-to-Drain System for Autoclave Wastewater dramatically reduces the temperature of autoclave wastewater and sends it directly down the drain, automatically — eliminating the need for condenser bottles.



CVV7501 / CVV7502

Protects drains.

Prevents autoclave wastewater from melting plumbing. Built-in backflow prevention meets or exceeds local plumbing codes.

Protects cabinets.

Helps prevent mold, mildew, rot and rust caused by spills and humid environments created by autoclave condenser bottles.

Saves staff time.

Eliminates the need for staff to empty steaming-hot water bottles manually. Self-regulating system requires no user maintenance!

Connect with the leaders.

The VistaCool Direct-to-Drain System for Autoclave Wastewater is compatible with the top-selling autoclaves on the market.

SciCan

STATIM 2000
STATIM 5000

 **midmark**

M3
M9*
M11*

Ritter®

M3
M9*
M11*

*Requires Model CVV7502 and CVS7560 adapter kit.



CROSSTEX
A CANTEL MEDICAL COMPANY

Want fresh water?

With the use of a simple adapter kit, the VistaCool™ Direct-to-Drain System for Autoclave Wastewater* model CVV7502 enables Midmark/Ritter M9 and M11 autoclaves to use fresh water for each sterilizer cycle.

CVS7560 M9/M11 ADAPTER KIT



Installation Requirements

Connection to cold water supply

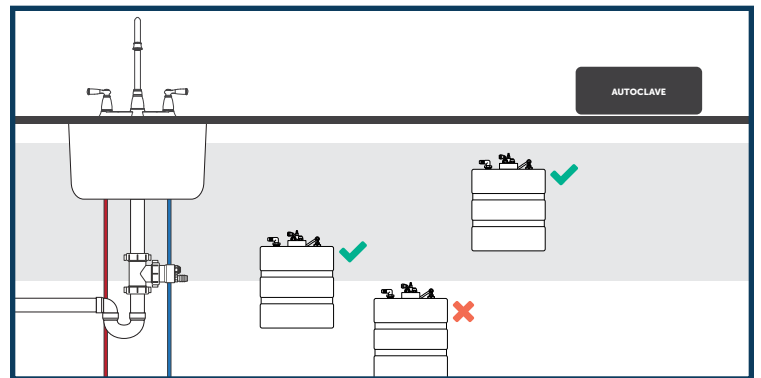
Supply fittings, valve, feed line tubing and CSA-certified VistaCheck™ Backflow Preventer included.

Connection to drain with trap

1-1/2" utility tee with push-in fittings included. Inline thermal sensor(s) ensure wastewater is cool enough to send down the drain.

Tank Positioning

The VistaCool Direct-to-Drain System for Autoclave Wastewater should be set on a hard, level surface and installed so that the top of the water tank is above the coolant overflow fitting on the drain adapter assembly, and below the autoclave outlet. Installing a tank at the wrong height may create resistance for proper water flow, since the system is designed to take advantage of gravity flow.



Note: Adjustable tank stands for installing the VistaCool Direct-to-Drain System for Autoclave Wastewater at the correct height are available as accessories when needed (CVS7545 for use with single-unit CVV7501; CVS7547 for use with double-unit CVV7502). These stands raise the tank height between 1/2" and 5" in 1/2" increments.

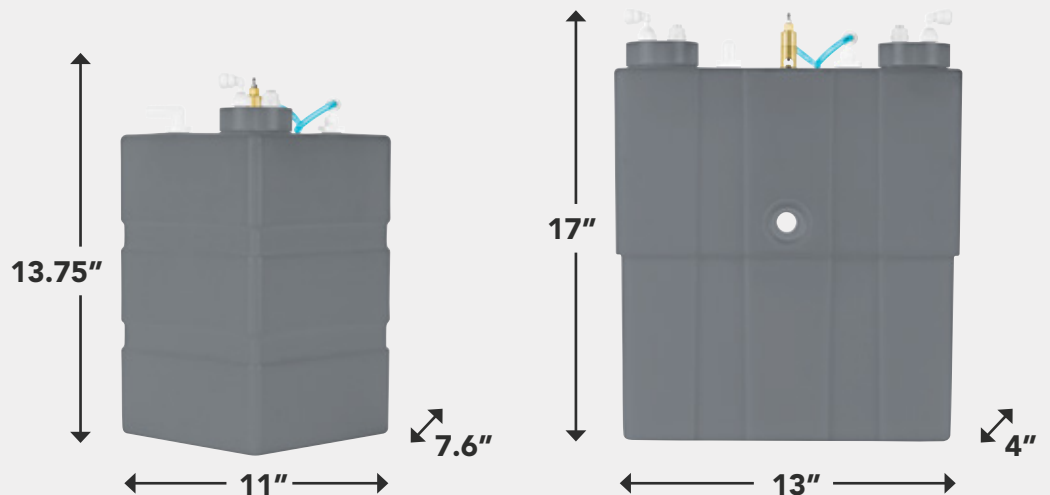
Tank Dimensions

CVV7501

7.6" W x 11" L x 13.75" H

CVV7502

4.0" W x 13.0" L x 17.0" H



Patent pending.

All product names are trademarks of Crosstex International, Inc., a Cantel Medical Company, its affiliates or related companies, unless otherwise noted.

VistaCheck™ is a trademark of Vista Water Group, LLC.

© 2019 Crosstex International, Inc. 0119 DLIT00651 Rev B